

MILLER INTEGRATOR AND DELAY PICK OFF

155-0028-00
 155-0028-01 M018G
 155-0042-02
 155-0042-03

DESCRIPTION

The M018 is a gated Miller Integrator with a delay pick-off comparator. Maximum slew rate is 10 V/ μ S. RTL logic input controls the Miller run up and the delayed gate output.

PROCESS 200 Ω /Sq, P-

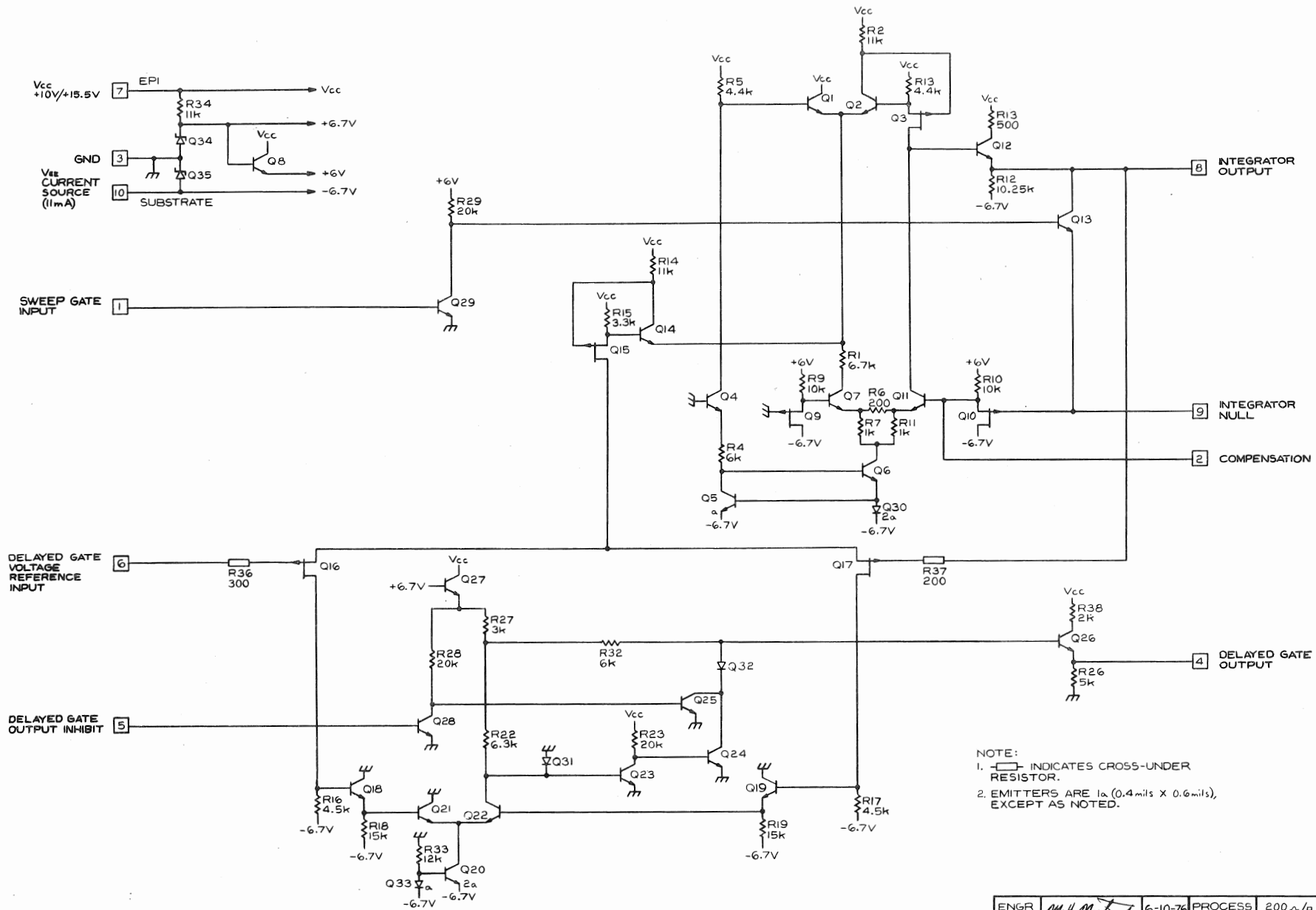
POWER SUPPLY. V_{EE} +15 Volts, I_{EE} -11 mA


PACKAGE 10 Lead T05

DESIGNER Joe Burger

INSTRUMENT USAGE	<u>155-0028-00</u>	<u>155-0028-01</u>
	1480 1481	432
	1482 1485	434
	26G1 26G2	
	26G3 7L12	
	7L13 5S14	
	7S14	

<u>155-0042-02</u>	<u>155-0042-03</u>
1401A	7B53 314K
5S14N	5B10N 5B12N
7L12	5B40 5B42
7L13	5B42G 55B31
7S14	5B53 RG501
	5B10 5B12
	5B53A



NOTE:
 1.  INDICATES CROSS-UNDER RESISTOR.
 2. EMITTERS ARE 1a (0.4mils X 0.6mils), EXCEPT AS NOTED.

ENGR	<i>M. H. Muehl</i>	6-10-76	PROCESS	200 μ /b	P-
DWN BY	J. Langley	4-1-76	PACKAGE	10 LEAD TO-5	
CHK BY	<i>Linda Bay</i>	7-3-76	DIE SIZE	50mil X 50mil	
TYPE	MONOLITHIC	MILLER INTEGRATOR & DELAY PICKOFF		M018G	
INTEGRATED CIRCUIT ENG/MFG			PART NO. 155-0028-00		
TEKTRONIX, INC. BEAVERTON, OREGON, U.S.A.					