

High touch resolution
High transmissivity
Simple data link

TekTouch™

The New Interactive Panel from Tektronix

TekTouch™ Capabilities

TekTouch allows simple interactive communication between an operator and an electronic system. Versatility of the TekTouch™ system provides easy access to even the most complex data input requirements.

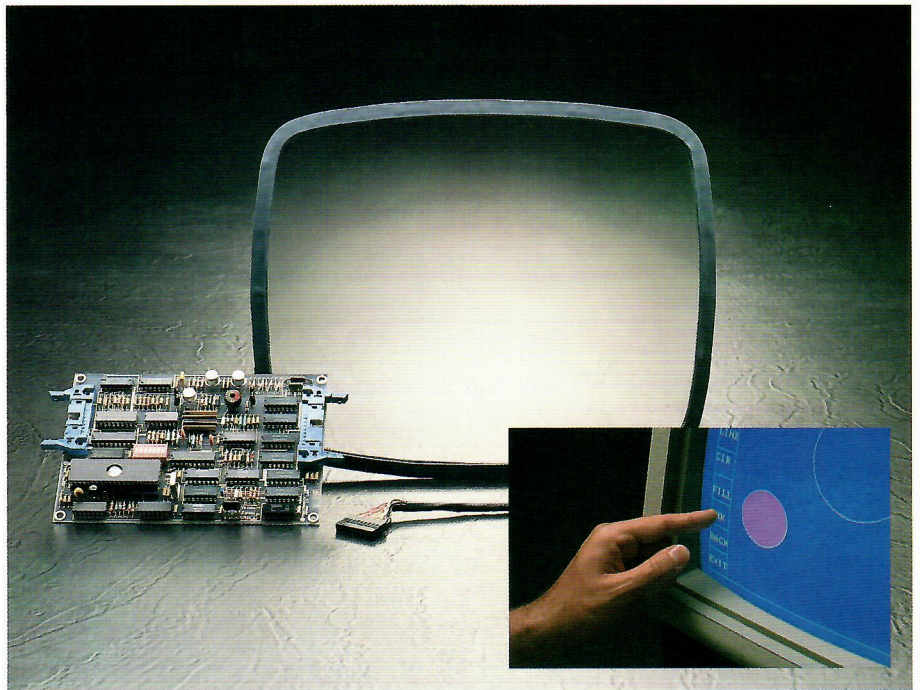
Soft keys can be defined up to 256 points per axis. TekTouch™ electronics will compute and transmit touch locations to the host system. TekTouch™ links to your computer through either RS-232C or parallel interfaces.

The Technology

TekTouch™ consists of a thin, continuous, transparent film deposited on a glass panel. The touched position is determined by measuring changes to a small AC signal applied to the touch panel. Variation in the signal corresponds to the touch location.

TekTouch's™ panel construction eliminates many visual distortions commonly found in other touch panels. Minimum parallax error and its 85% transmissivity allow excellent optical clarity.

TekTouch™, engineered at Tektronix, provides a reliable, low cost data entry solution.



TekTouch™ provides high transmission, has no moving parts, and is not subject to dust intrusion. It does not extend laterally past existing display CRT dimensions.

Installation

TekTouch™ conveniently mounts under the present CRT/monitor bezel, requiring only about 0.20 inch clearance. The controller circuitry fits on a 4 by 6 inch circuit board designed to mount directly inside the monitor. A harness connecting the panel and controller board is supplied.

Applications

Built to withstand environments such as process control stations, automatic teller machines, and public information kiosks, TekTouch™ is also a valuable aid for many test and measurement applications. Other uses include:

- Menu selection
- Interactive graphics
- Programmable 'soft keys' for display front panel or as existing keyboard extension.

Tektronix®
COMMITTED TO EXCELLENCE

SPECIFICATIONS

I. TOUCH PANEL

Technology: Continuous capacitive

Touch Resolution: Up to 256 points per axis to panel edge

Touch Accuracy: Standard error—nominally 1% of panel size

Touch Sampling Rate: 50–100 samples per second

Touch Response Time: 20 msec (typical)

Transmissivity: 85% at 520 nm (typical of antiglare-etched surface)

Size Range: 9 to 13 inches (228 to 330 mm) diagonal

Active Touch Area: Within 0.75 inch (19.05 mm) of panel edges

Input Power:

	Nom.	Max.
+5 V	250 mA	320 mA
+12 V	60 mA	100 mA
-12 V	60 mA	100 mA

II. MECHANICAL

Panel Size: See Figure 1 and Table 1

Glass Thickness: 0.125 inch (3.175 mm)

Panel Mounting Accommodations: Gasket supplied with tabs, clips or mounting tape as appropriate

Controller Board Size: 4 by 6 inches (101.6 by 152.4 mm) (see Figure 2)

Mating Interface (J1) Connector: Berg 66900-220 or equivalent

Controller Board Mounting Accommodations: Designed to mount within 15 inches (381 mm) of Touch Panel

III. COMMUNICATIONS

Format

– RS-232C Interface

Selectable Baud Rate: 1200, 9600, 19200

Transmission Code: asynchronous ASCII, selectable parity

Data Structure: X,Y,Z; 8-bits binary or 7-bit hex ASCII selectable

J1 Pinout: Per Table 2

– Parallel Interface

Transmission Code: Binary
Data Structure: 8-bit data with strobe and acknowledge lines
J1 Pinout: Per Table 2

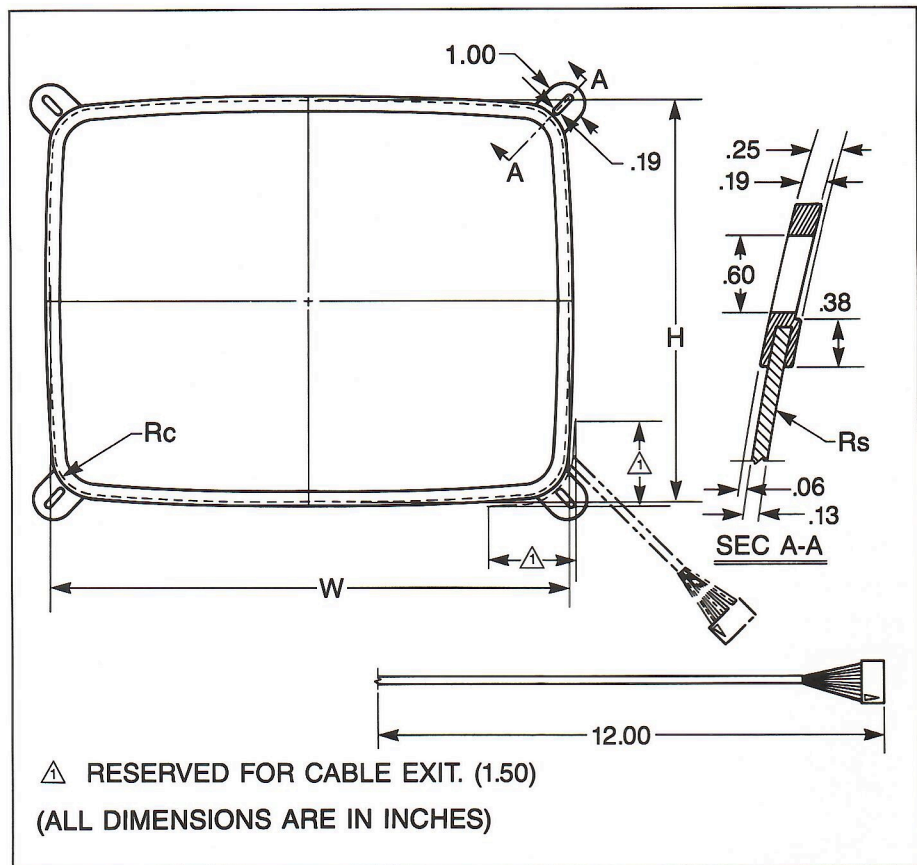


Figure 1. Drawing of Touch Panel. See Table 1 for specific dimensions.

Data Format Options

Alternative data formats available. Please consult Tektronix Display Devices Operation Marketing & Sales for quotation and availability.

IV. MODES OF OPERATION

Data Transmission Modes: Per Table 3 (user selectable through setting of dip switches on circuit board)

- Delta—send data on any change in x, y or z
- Make—send data on initiation of touch
- Break—send data on termination of touch
- Continuous

V. ENVIRONMENTAL

Operating Temperature Range: 0 to +70°C

Storage Temperature Range: -62 to +85°C

Operating Humidity Range: Up to 95% at 55°C

Moisture and Dust: Resistant to high humidity environments, moisture and dust: highly resistant to the corrosive effects of beverage spills, etc.

Altitude: Operating — Up to 15,000 ft (4.5 km)
 Storage — Up to 50,000 ft (15 km)

Vibration: Operating — 0.025 in (0.635 mm) p-p, 10–55 Hz
 Storage — 0.05 in (1.27 mm) p-p, 10–55 Hz

Shock: Operating — 50 g peak acceleration
 Storage — 100 g peak acceleration

VI. CERTIFICATIONS

Safety: UL 478, UL 1244, and UL 544 (professional, non-patient care)

Regulatory: FCC Class B

Table 1. TekTouch™ Panel Dimensions

NOMINAL DIAGONAL	R _s SPHERICAL RADIUS (inches)	H HEIGHT (INCHES)	W WIDTH (INCHES)	R _c CORNER RADIUS (inches)	SAMPLE MONITORS
9 in.	24.0	6.4	8.4	0.75	IBM Portable PC
	27.0	6.1	8.1	0.75	Compaq II Portable PC
12 in.	19.0	8.5	10.6	1.25	IBM 5151
13 in.	22.8	9.5	12.3	1.00	IBM 5154 Zenith ZVM135 NEC Multisync
	24.0	9.4	12.3	1.12	IBM 5153

Table 2. J1 Connections

a) RS-232C SERIAL INTERFACE		b) PARALLEL INTERFACE	
1-9	RESERVED	1	PARALLEL STROBE
10	RS-232 CTS	2-9	8 BIT DATA PORT (PIN #2 LSB)
11	RESET	10	ACK
12	SIGNAL GROUND	11	RESET
13	RS-232 RTS	12	SIGNAL GROUND
14	RS-232 RXD	13-16	RESERVED
15	RS-232 TXD	17	-12 V
16	RS-232 DSR	18	+12 V
17	-12 V	19	+5 V
18	+12 V	20	GROUND
19	+5 V		
20	GROUND		

Table 3. Dip Switch Settings

MODE	1	00	DELTA
		01	MAKE
2		10	BREAK
		11	CONTINUOUS
3		00	PARALLEL INTERFACE
		01	1200 BAUD 2 STOP BITS
		10	9600 BAUD 1 STOP BIT
4		11	19200 BAUD 1 STOP BIT
	5	00	EVEN
01		ODD	
10		NONE	
6	11	RESERVED	
	7	0	8 BIT BINARY
		1	7 BITS ASCII

VII. RELIABILITY

Diagnostics: TekTouch™ system is self-testing

MTBF: 20,000 hours

Touch Life: More than 1 million touches in any one location and 10 million touches spread randomly over the panel surface

Scratch Resistance: Touch panel's conductive film is harder than glass surface. Film not scratched by gold, platinum, low carbon steel or any object with Mohs hardness of 7 or less.

Electrostatic Discharge (Panel Surface): 20 kV

Cleaning: Cleanable with commercially available non-conductive glass cleaners and laboratory solvents.

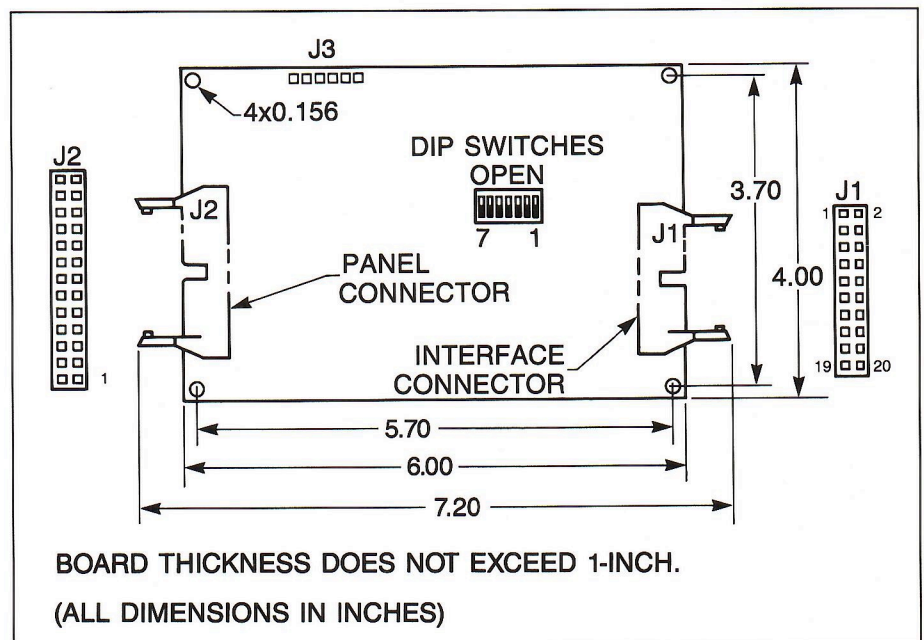


Figure 2. Controller board dimensions.

TekTouch™ ORDERING INFORMATION

Standard OEM Product

TekTouch™ comes complete with panel and controller board with either RS-232-C and parallel interface.

TekTouch™ panels are available to match CRTs in any of the standard sizes shown in Table 1. For other sizes, please consult Tektronix Display Devices Operation Marketing & Sales.

Evaluation Kit

For a quick evaluation, TekTouch™ evaluation kit comes complete with panel, appropriate mounting scheme, controller board, external power supply, controller board cable, external interface cable (DB 15 to DB 25) and Technical Reference Guide.

Options

Power Supplies

- External to monitor
- Internal to monitor

Controller Board Cables

- To monitor exterior
- To monitor exterior with internal or external power supply connector

External Interface Cable

- From monitor exterior to host system (DB 15 to DB 25)

External Enclosure

- For controller board and connections

For custom configurations, please consult Tektronix Display Devices Operation Marketing & Sales.

For Further Information

Contact:

Tektronix, Inc.
Display Devices Operation
Marketing & Sales
MS 46-539
P.O. Box 500
Beaverton, Oregon 97077
(503) 627-6868

Specifications subject to change without notice.

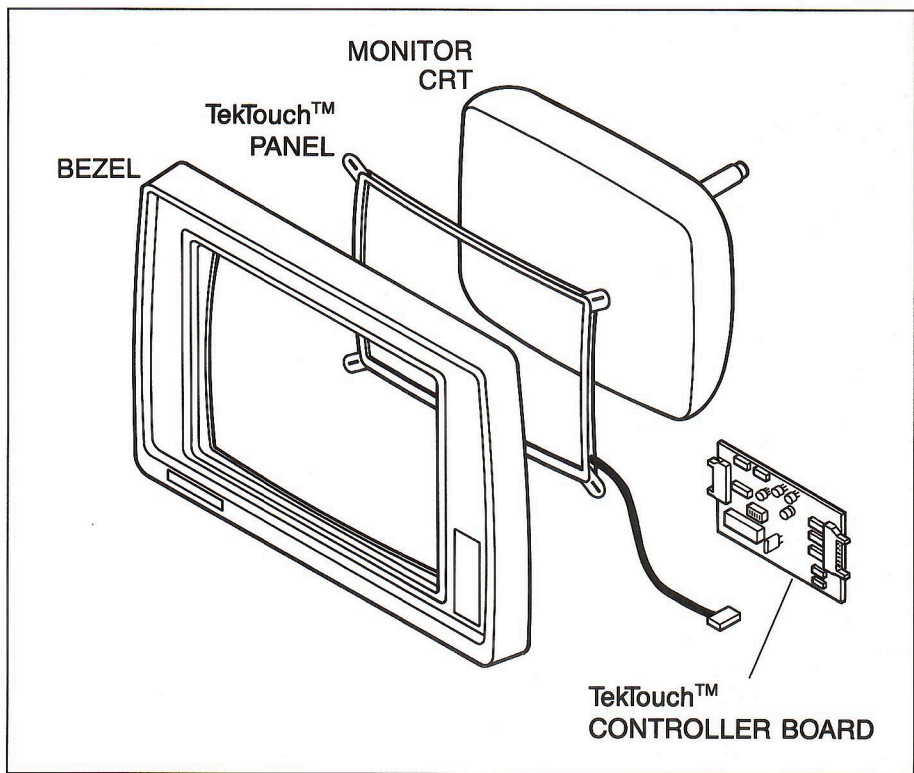



Figure 3. TekTouch™ mounts behind bezel, in front of CRT.

**Tek Display Devices:
Trusted technology
for leading edge
system integrators.**

Copyright © 1987, Tektronix, Inc. All rights reserved. Printed in U.S.A. Tektronix products are covered by U.S. and foreign patents, issued and pending. Information in this publication supersedes that in all previously published material. Specification and price change privileges reserved. TEKTRONIX, TEK, SCOPE-MOBILE, and  are registered trademarks. For further information, contact: Tektronix, Inc., P.O. Box 500, Beaverton, OR 97077. Phone: (503) 627-7111; TWX: (910) 467-8708; TLX: 151754; Cable: TEKWSGT. Subsidiaries and distributors worldwide.